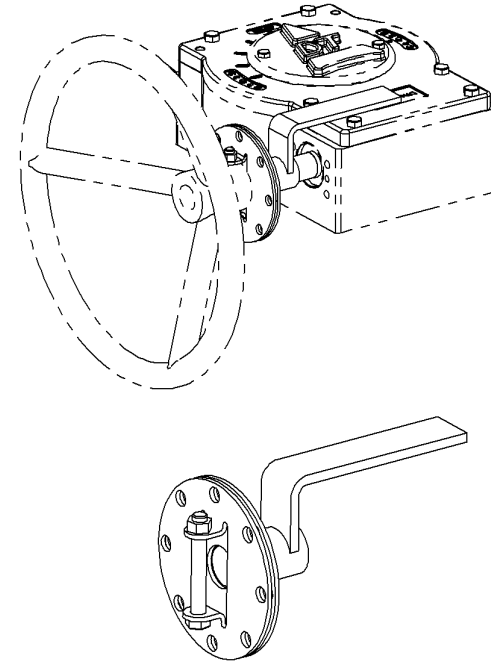


DT36



PAINT: BLACK EPOXY
CONSTRUCTION: STEEL

NOTES: 1. MOUNTING BOLT & NUT INCLUDED.
2. THIS KIT FOR 2.00" [50.8] O.D. HUB.

	4/2/03 BJM TWD	DATE BY CHKD	<p>This drawing, the structural design disclosed therein and the technical data and engineering service represented thereby are the exclusive property of Dyna-Torque Incorporated. It is to be returned to Dyna-Torque upon written request and it is not to be reproduced in whole or in part or disclosed to anyone else without the express written consent of Dyna-Torque Incorporated.</p>	DYNATORQUE	
	REDRAWN IN SW ER# 13064	DESCRIPTION OF CHANGE		1934 EAST SHERMAN BLVD MUSKEGON, MI 49444-1824 (231) 739-1377 FAX (231) 739-4514	
	REV	REV		NAME OF PART LOCKING KIT, DT36	
				FIELD MOUNTABLE	
			MATERIAL		
			A	PART NO. 36-300	REV A