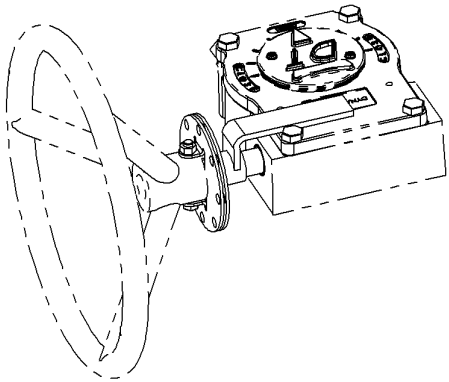
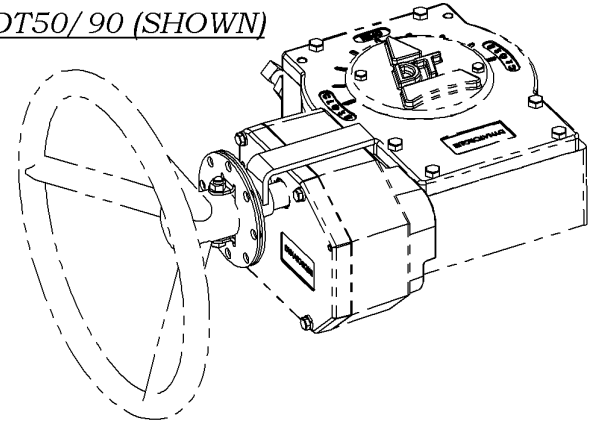


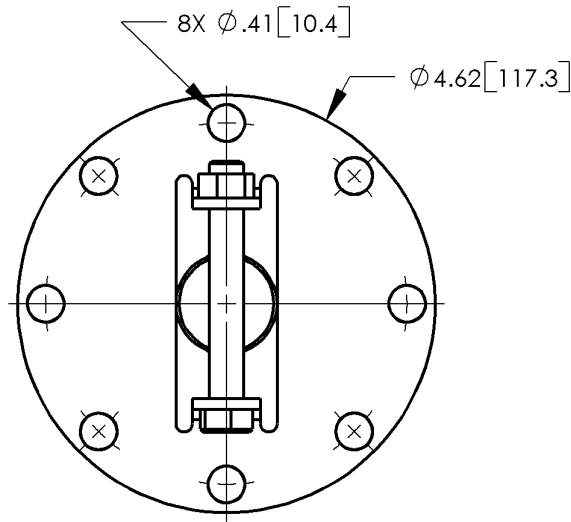
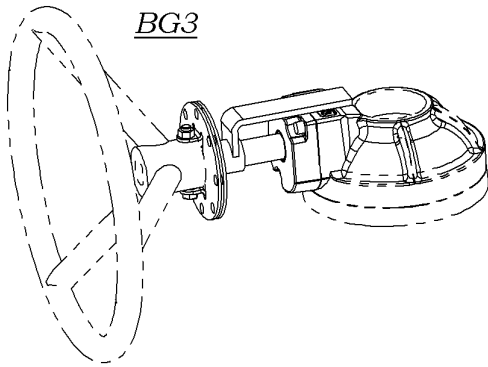
DT16/21 (SHOWN)



DT50/90 (SHOWN)



BG3



PAINT: BLACK EPOXY
CONSTRUCTION: STEEL

NOTES: 1. MOUNTING BOLT & NUT INCLUDED.
2. THIS KIT FOR 2.00" [50.8] O.D. HUB.

	4/1/03 BJM TWD	DATE BY CHKD	<p>This drawing, the structural design disclosed therein and the technical data and engineering service represented thereby are the exclusive property of Dyna-Torque Incorporated. It is to be returned to Dyna-Torque upon written request and it is not to be reproduced in whole or in part or disclosed to anyone else without the express written consent of Dyna-Torque Incorporated.</p>	<h1>DYNATORQUE</h1> <p>1934 EAST SHERMAN BLVD MUSKEGON, MI 49444-1824 (231) 739-1377 FAX (231) 739-4514</p>	
	REDRAWN IN SW ER# 13061	DESCRIPTION OF CHANGE			
				FIELD MOUNTABLE	
				MATERIAL	
C	REV		A	PART NO. 36-160	REV D