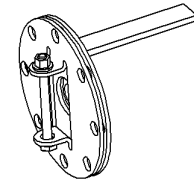
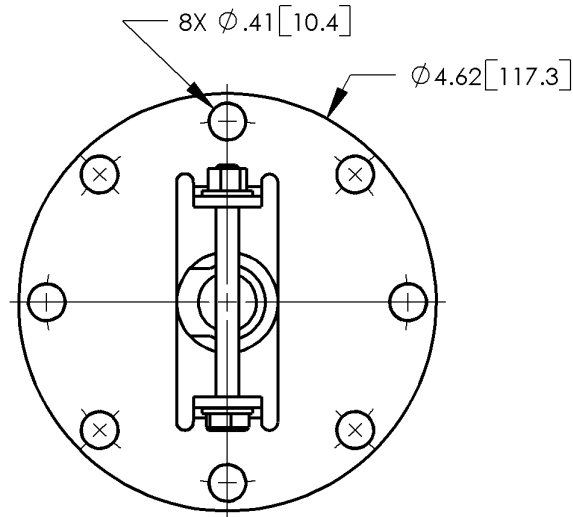
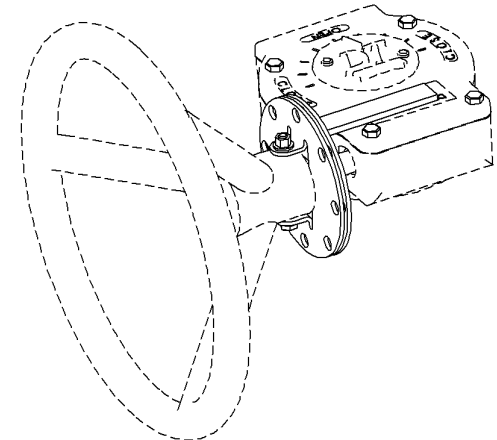
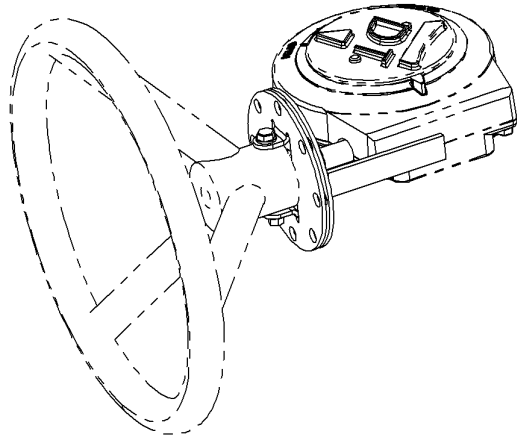


DT5

DT7



PAINT: BLACK EPOXY  
CONSTRUCTION: STEEL

NOTES: 1. MOUNTING BOLT & NUT INCLUDED.  
2. THIS KIT FOR 2.00" [50.8] O.D. HUB.

		3/25/03 BJM TWD	DATE BY CHKD	This drawing, the structural design disclosed therein and the technical data and engineering service represented thereby are the exclusive property of Dyna-Torque Incorporated. It is to be returned to Dyna-Torque upon written request and it is not to be reproduced in whole or in part or disclosed to anyone else without the express written consent of Dyna-Torque Incorporated.	<b>DYNATORQUE</b> 1934 EAST SHERMAN BLVD MUSKEGON, MI 49444-1824 (231) 739-1377 FAX (231) 739-4514	
	NOW FOR DT5 & DT7 (WAS DT5 ONLY) ER# 13052	3/17/03 BJM TWD	DESCRIPTION OF CHANGE			NAME OF PART <b>LOCK KIT, DT5/DT7</b>
	REDRAWN IN SW ER# 13025					FIELD MOUNTABLE
						MATERIAL
C			REV	A	PART NO. <b>36-050</b>	
					REV <b>C</b>	