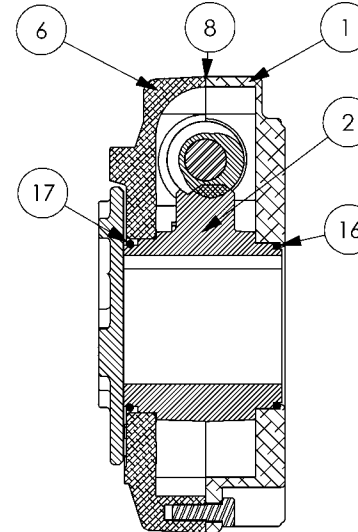
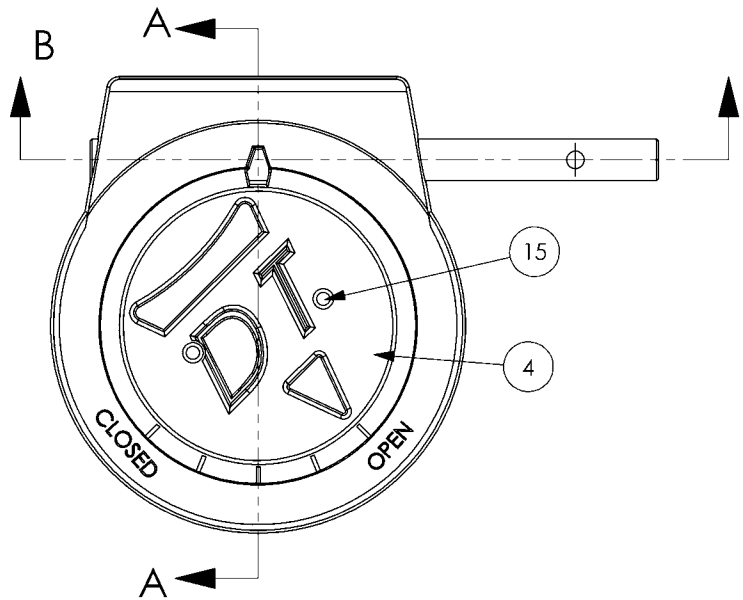
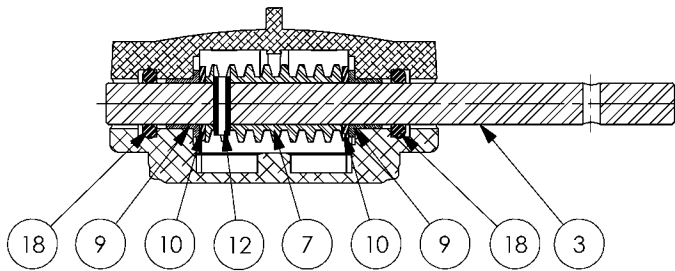
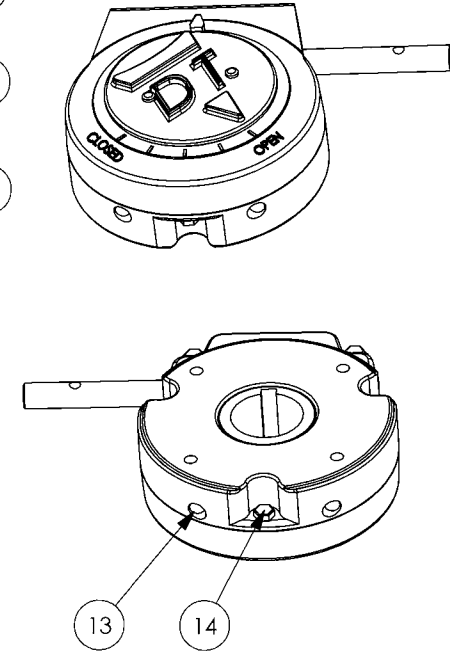


NOTE: CONSULT FACTORY FOR SPECIAL SHAFT & INDICATOR CONFIGURATIONS.

						GREASED FOR LIFE PLATED STANDARD SHAFT MAX STEM HEIGHT: 2.31 [58.7] WORM WHEEL RECESS: .05 [1.3]		HANDWHEEL RECOMMENDED ϕ : 10 IN RIM PULL AT MAX TORQUE: 77 LBS TURNS FOR 90°: 12		RATIO: 48:1 TORQUE: 5,000 IN LBS [565 N-M] TEMPERATURE: -20° TO 150°F [-29° TO 66°C] WEIGHT: 7 LBS [3.2 KGS]	
HOUSING MOUNTING PATTERN				BORE & KEY			MANUAL 1/4 TURN ACTUATOR COMMERCIAL GRADE				
MAX	MAX ON CENTER	STD	MIN	MAX	STD	MIN	DYNATORQUE DT5 1934 E. SHERMAN MUSKEGON, MI 49444-1824 (231) 739-1377 FAX (231) 739-4514 WWW.DYNATORQUE.COM				
ϕ 5.250 1/2-13 UNC	ϕ 3.750 1/2-13 UNC	ϕ 5.000 1/2-13 UNC	ϕ 3.375 1/2-13 UNC	ϕ 1.875 .375 X .250 KEY	ϕ 1.750 .375 KEY @C	ϕ .391					



SECTION A-A



SECTION B-B

- 11 UNIT BEARINGS, O-RINGS AND GEAR TEETH ARE GREASED.
- 5 HOUSING, COVER, AND INDICATOR ARE PAINTED A BLACK EPOXY E-COAT.

ITEM	QTY.	DESCRIPTION	ITEM	QTY.	DESCRIPTION
1	1	HOUSING, DT5	13	2	SET SCREW, 3/8-16
2	1	WORM WHEEL, DT5	14	5	HHCS, 1/4-20 X .75 LG SELF TAPPING
3	1	SHAFT, DT5	15	2	PHCS, 8-32 S/TAP, .5
4	1	INDICATOR, DT5/16/21	16	1	O-RING, 2-141
5	1	E-COAT	17	1	O-RING, 2-142
6	1	COVER, DT5	18	2	O-RING, 2-312
7	1	WORM, DT2/3			
8	1	SEALANT #732 RTV, DOW			
9	2	BEARING, FLANGED, .750, .625, .50			
10	2	THRUST WASHER, .625, .092			
11	1	GREASE, COMMERCIAL GRADE			
12	1	COIL PIN, .250, .88			

DYNATORQUE
 1934 EAST SHERMAN BLVD
 MUSKEGON, MI 49444-1824
 (231) 739-1377 FAX (231) 739-4514
 WWW.DYNATORQUE.COM

DT5