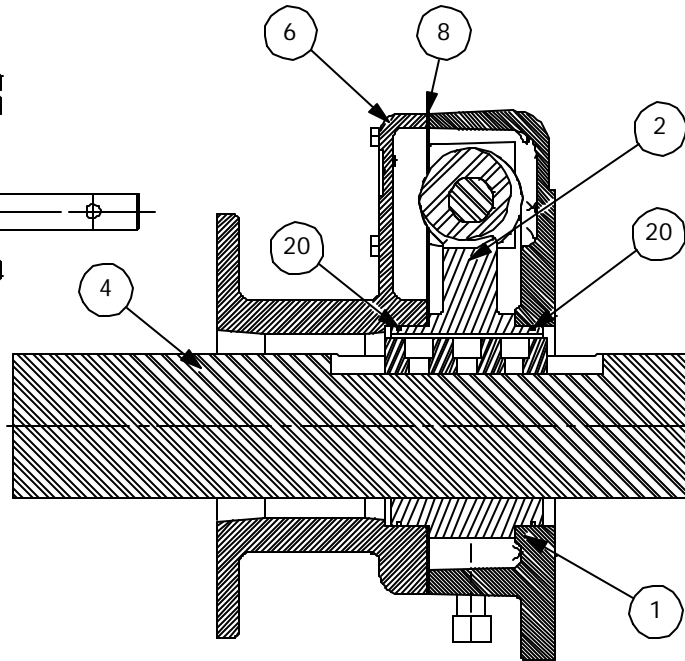
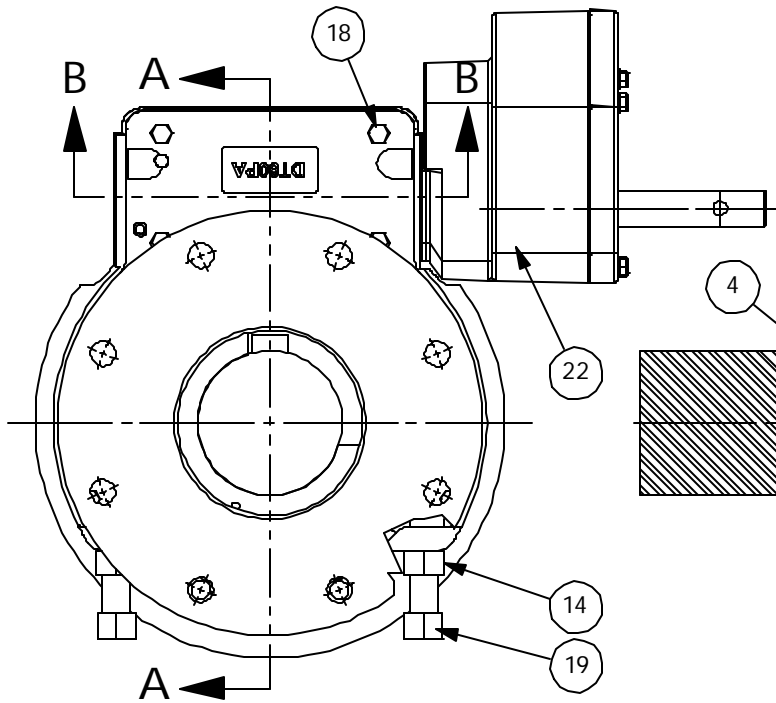
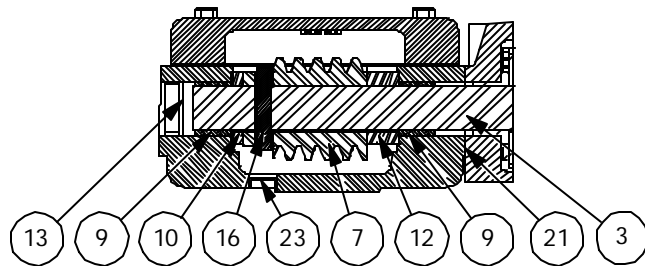
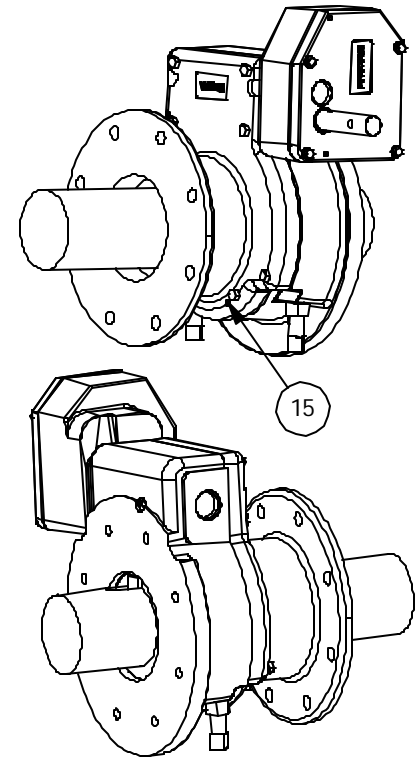


CONSULT FACTORY FOR SPECIAL CONFIGURATIONS.

		<p>UNITS ARE AVAILABLE IN FAIL CLOCKWISE OR FAIL COUNTERCLOCKWISE, UNIT SHOWN IN HOME POSITION FOR FAIL CLOCKWISE.</p> <p>GREASED FOR LIFE.</p> <p>PLATED STANDARD SHAFT.</p>	<p>MAX DRIVER BORE & KEY</p> <table border="1"> <tr> <td>MAX IN LINE</td> <td>MAX</td> </tr> <tr> <td>$\phi 2.125$.500 X .375 KEY</td> <td>$\phi 3.125$.750 X .500 KEY</td> </tr> </table>	MAX IN LINE	MAX	$\phi 2.125$.500 X .375 KEY	$\phi 3.125$.750 X .500 KEY	<p>HANDWHEEL</p> <p>RECOMMENDED: ϕ: 36 IN</p> <p>RIM PULL AT MAX TORQUE: 100 LBS</p> <p>TURNS FOR 90°: 90</p>	<p>RATIO: 360:1</p> <p>TORQUE: 140,000 IN LBS [15820 N-M]</p> <p>TEMPERATURE: -20° TO 150°F [-29° TO 66°C]</p> <p>WEIGHT UNIT: 177 LBS [80.5 KG]</p> <p>DRIVER: 67 LBS [30.5 KG]</p> <p>HANDWHEEL: 17 LBS [7.7 KG]</p>																	
MAX IN LINE	MAX																									
$\phi 2.125$.500 X .375 KEY	$\phi 3.125$.750 X .500 KEY																									
<p>HOUSING MOUNTING PATTERN</p> <table border="1"> <tr> <td>MAX</td> <td>MAX ON CENTER</td> <td>STD</td> <td>MIN</td> </tr> <tr> <td>$\phi 11.750$ 3/4-10</td> <td>$\phi 11.750$ 3/4-10</td> <td>$\phi 10.000$ 5/8-11</td> <td>$\phi 6.500$ 3/4-10</td> </tr> </table>				MAX	MAX ON CENTER	STD	MIN	$\phi 11.750$ 3/4-10	$\phi 11.750$ 3/4-10	$\phi 10.000$ 5/8-11	$\phi 6.500$ 3/4-10	<p>COVER MOUNTING PATTERN</p> <table border="1"> <tr> <td>MAX</td> <td>MAX ON CENTER</td> <td>STD</td> <td>MIN</td> </tr> <tr> <td>$\phi 10.750$ $\phi .812$</td> <td>$\phi 10.750$ $\phi .812$</td> <td>$\phi 10.000$ $\phi .688$</td> <td>$\phi 8.500$ $\phi .688$</td> </tr> </table>				MAX	MAX ON CENTER	STD	MIN	$\phi 10.750$ $\phi .812$	$\phi 10.750$ $\phi .812$	$\phi 10.000$ $\phi .688$	$\phi 8.500$ $\phi .688$	<p>MANUAL 1/4 TURN ACTUATOR COMMERCIAL GRADE</p> <p>DYNATORQUE</p> <p>WWW.DYNATORQUE.COM</p> <p>10/13/05</p>		<p>DT140 SRD</p>
MAX	MAX ON CENTER	STD	MIN																							
$\phi 11.750$ 3/4-10	$\phi 11.750$ 3/4-10	$\phi 10.000$ 5/8-11	$\phi 6.500$ 3/4-10																							
MAX	MAX ON CENTER	STD	MIN																							
$\phi 10.750$ $\phi .812$	$\phi 10.750$ $\phi .812$	$\phi 10.000$ $\phi .688$	$\phi 8.500$ $\phi .688$																							



SECTION A-A



SECTION B-B

- 5 UNIT IS PAINTED BLACK OXIDE PRIMER.
- 11 UNIT BEARINGS, O-RINGS AND GEAR TEETH ARE GREASED.
- 17 HWRR 36" HAND WHEEL NOT SHOWN.

ITEM	QTY.	DESCRIPTION	ITEM	QTY.	DESCRIPTION
1	1	HOUSING,DT140	15	2	DOWEL PIN,.375,1.00
2	1	W/WHEEL, DT60/90 SRD	16	1	GROOVE PIN,.438,2.25
3	1	SHAFT,DT140,NEWSPUR	17	1	HWRR 36"
4	1	DRSD, DT90, BLANK	18	8	HHCS, 3/8-16 X 2.00 LG
5	1	PAINT, PRIMER, BLACK OXIDE	19	2	SHSS, 3/4-10 X 4.50
6	1	COVER,DT60SD	20	2	O-RING,2-160
7	1	WORM,DT140, STD	21	1	GASKET
8	1	COVER GASKET, DT 60/90	22	1	SPUR, 6:1, DT140
9	2	BEARING SLV,1.50,1.25,1.00	23	1	EXPANSION PLUG,.750,.25
10	1	WORM SPACER, DT140	DYNATORQUE DT140 WWW.DYNATORQUE.COM SRD 10/13/05		
11	1	GREASE, COMMERCIAL GRADE			
12	1	WORM SPACER, DT140			
13	1	EXPANSION PLUG,1.50,.48			
14	2	NUT, JAM, 3/4-10			