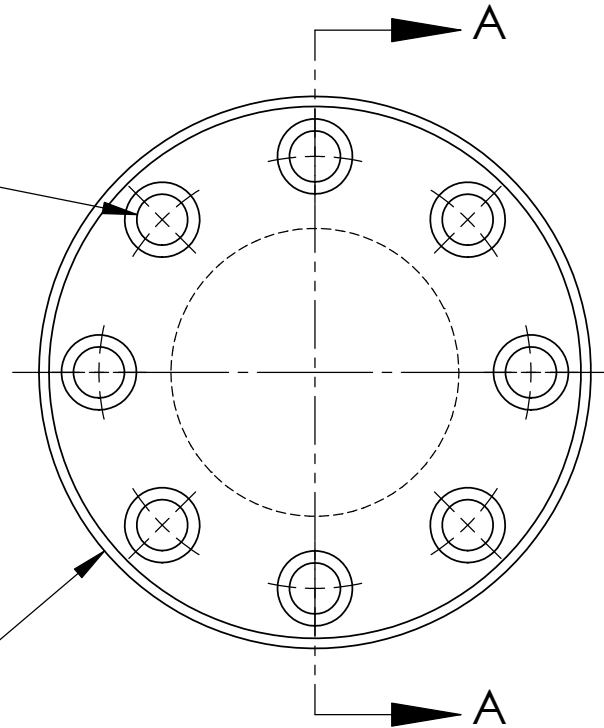
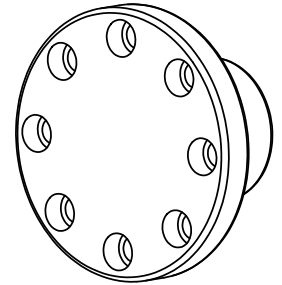


SECTION A-A

8x $\phi .53$ [13.5]
 \square $\phi .78$ [19.8] $\nabla .50$ [12.7]
 EQUALLY SPACED
 ON A $\phi 4.500$ [114.30] B.C.

$\phi 5.75$ [146.1]



- NOTES:
 1. BRONZE CONSTRUCTION.
 2. MOUNTING HARDWARE INCLUDED.

	1/14/03 BJM TWD	DATE BY	CHKD C	This drawing, the structural design disclosed therein and the technical data and engineering service represented thereby, are the exclusive property of Dyna-Torque Incorporated. It is to be returned to Dyna-Torque upon written request and it is not to be reproduced in whole or in part or disclosed to anyone else without the express written consent of Dyna-Torque Incorporated.	DYNATORQUE 1934 EAST SHERMAN BLVD MUSKEGON, MI 49444-1824 (231) 739-1377 FAX (231) 739-4514
	REDRAWN IN SW TO CURRENT SPEC ER# 12787	DESCRIPTION	NAME OF PART STEM NUT KIT, BG4 STD		
	REV	DESCRIPTION	NOTE		
	C		PART NO. 24-006		