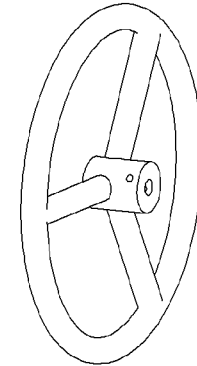
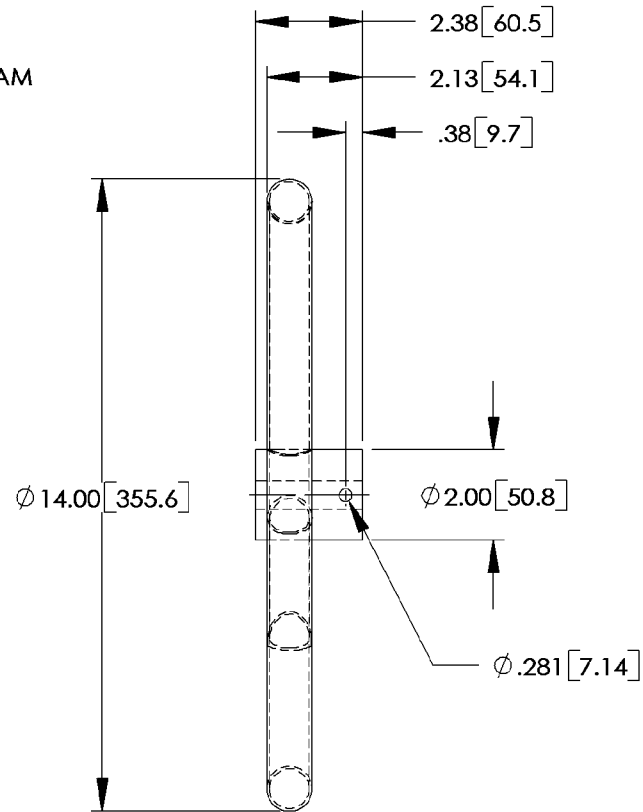


PAINT: BLACK EPOXY
 CONSTRUCTION: WELDED ϕ 1.00 STEEL TUBING



NOTE: 1. MOUNTING HARDWARE INCLUDED.
 2. SEAL WELD ALL JOINTS, WITH ALL ROUGH EDGES & WELD SPATTER REMOVED.

REV	ISSUED	DATE	BY	CHKD	DESCRIPTION
-		10/9/03	BUN	TWD	

This drawing, the structural design disclosed therein and the technical data and engineering service represented thereby are the exclusive property of Dyna-Torque Incorporated. It is to be returned to Dyna-Torque upon written request and it is not to be reproduced in whole or in part or disclosed to anyone else without the express written consent of Dyna-Torque Incorporated.

DYNATORQUE
 1934 EAST SHERMAN BLVD
 MUSKEGON, MI 49444-1824
 (231) 739-1377 FAX (231) 739-4514

NAME OF PART	HWRF14	
NOTE		
PART NO.	11-912	REV -