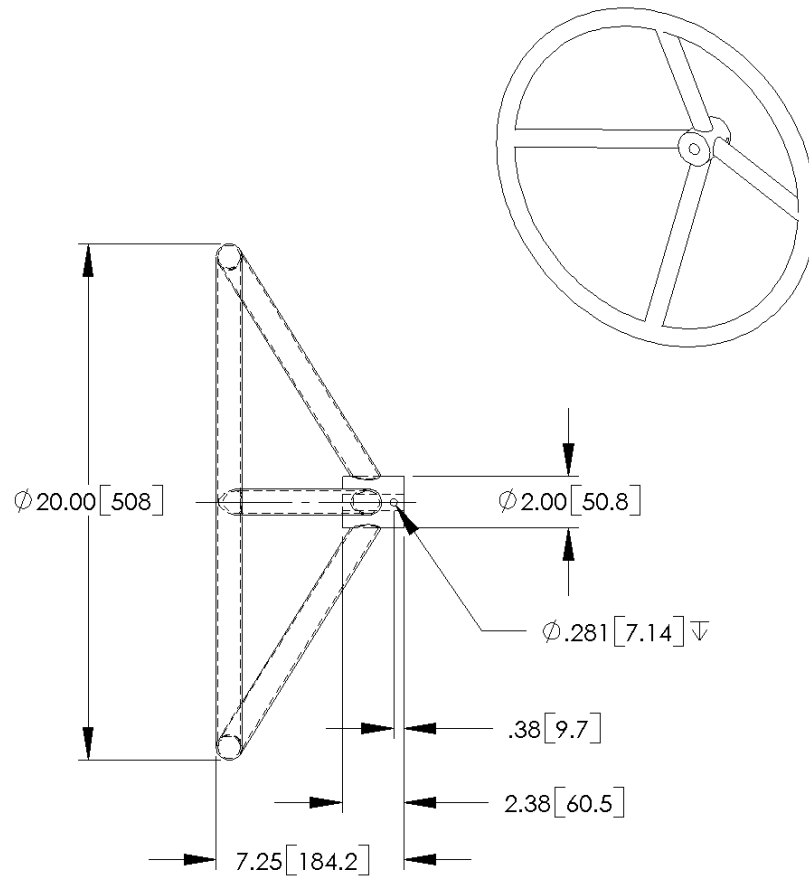


PAINT: BLACK EPOXY  
 CONSTRUCTION: WELDED  $\phi$  1.00 STEEL TUBING



NOTE: 1. MOUNTING HARDWARE INCLUDED.  
 2. SEAL WELD ALL JOINTS, WITH ALL ROUGH EDGES & WELD SPATTER REMOVED.

	2/26/03 BIM TMD	BY DATE	CHKD CHKD	<p>This drawing, the structural design disclosed therein and the technical data and engineering service represented thereby are the exclusive property of Dyna-Torque, Incorporated. It is to be returned to Dyna-Torque upon written request and it is not to be reproduced in whole or in part or disclosed to anyone else without the express written consent of Dyna-Torque Incorporated.</p>	<p><b>DYNATORQUE</b>          1934 EAST SHERMAN BLVD          MUSKEGON, MI 49444-1824          (231) 739-1377 FAX (231) 739-4514</p>	
	REDRAWN IN SW ER# 12942	DESCRIPTION			NAME OF PART HWRR20	
B	REV				NOTE	
				PART NO.	11-171	REV B