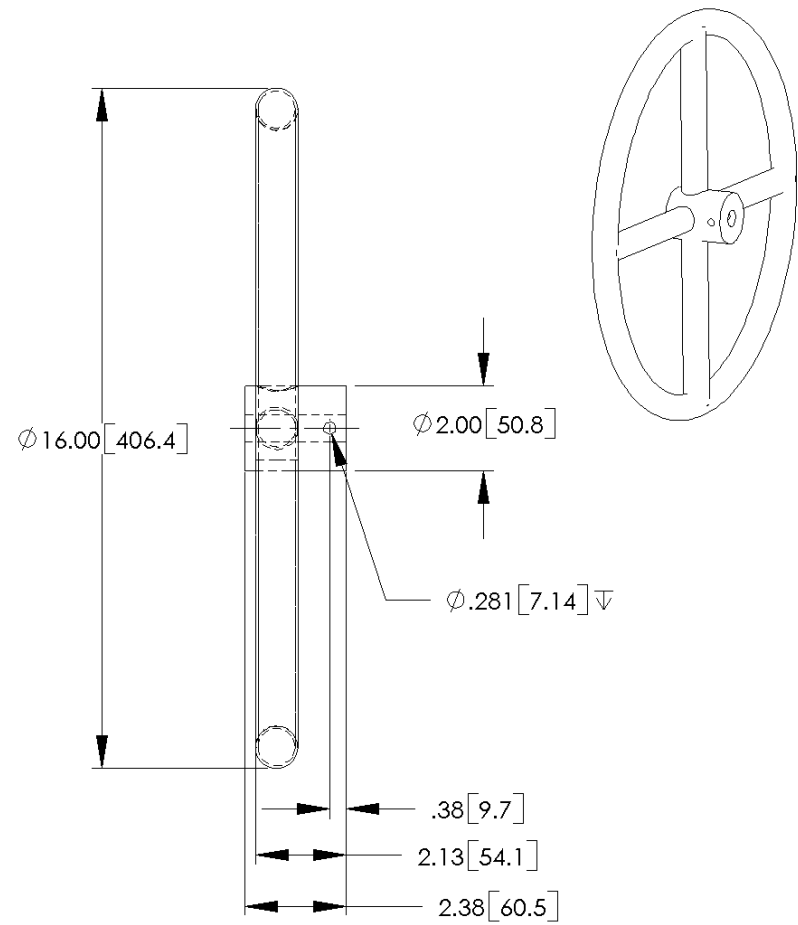


PAINT: BLACK EPOXY  
 CONSTRUCTION: WELDED  $\phi$  1.00 STEEL TUBING



NOTE: 1. MOUNTING HARDWARE INCLUDED.  
 2. SEAL WELD ALL JOINTS, WITH ALL ROUGH EDGES & WELD SPATTER REMOVED.

	2/26/03 6:06 TWD	BY DATE	This drawing, the structural design disclosed therein and the technical data and engineering service represented thereby are the exclusive property of Dyna-Torque Incorporated. It is to be returned to Dyna-Torque upon written request and it is not to be reproduced in whole or in part or expressed written consent of Dyna-Torque Incorporated.	<b>DYNATORQUE</b> 1934 EAST SHERMAN BLVD MUSKEGON, MI 49444-1824 (231) 739-1377 FAX (231) 739-4514	
	REDRAWN IN SW ER# 12943	CHKD		NAME OF PART HWRF16	NOTE
B	REV	DESCRIPTION	PART NO.	11-093	REV B